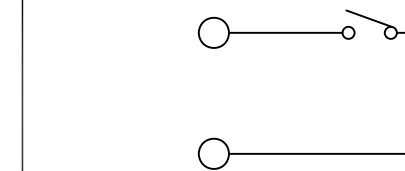
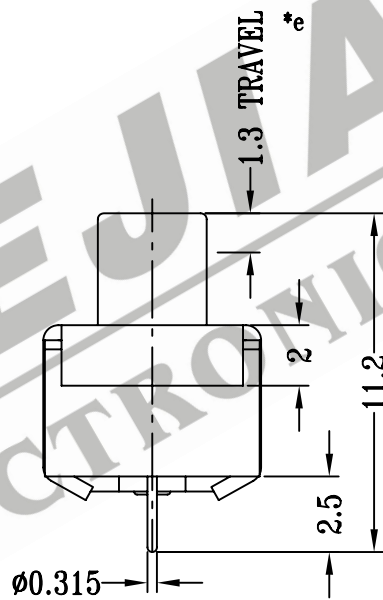
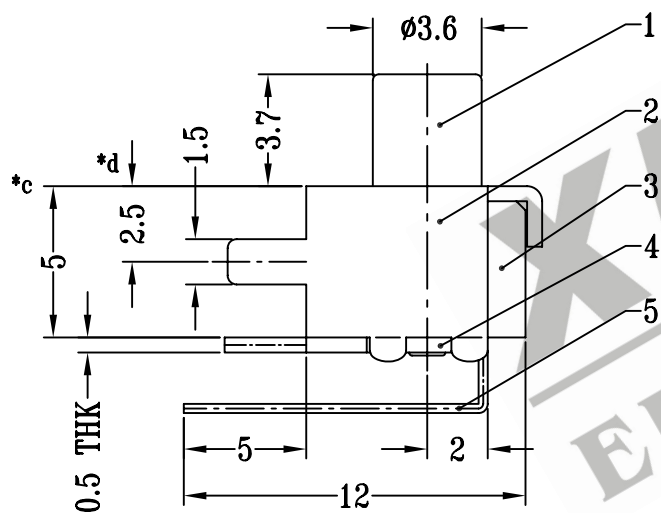
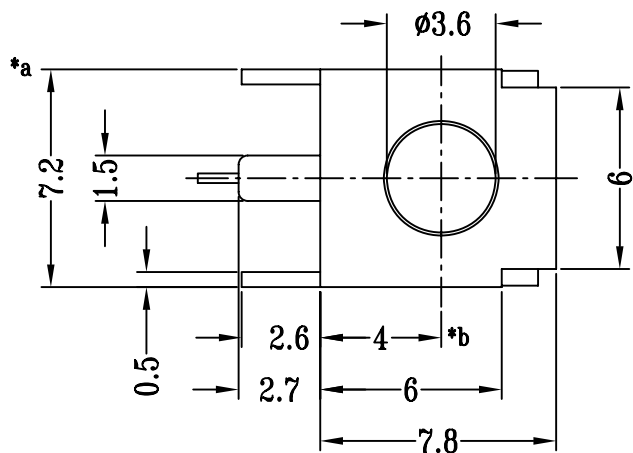
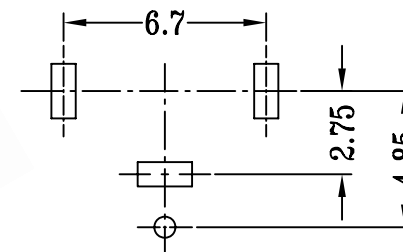


CAD FILE:



SCHEMATIC



P.C.B LAYOUT

注:带"*"表示关键尺寸(6个)

| NO. | PART NAME | MATERIAL | Q'TY | FINISHING | TOLERANCE UNLESS SPECIFIED | SHENZHEN XIEJIA ELECTRONICS CO.,LTD. | | | |
|-----|-----------|-------------|------|--------------------------|---------------------------------------|--------------------------------------|--|--|--|
| 8 | | | | | | TITLE : VERTICAL PUSH SWITCH | | | |
| 7 | | | 1 | | | | | | |
| 6 | CONTACT | BRASS | 1 | Ag PLATED | WITHIN: 1.5±0.1mm OVER : 1.5±0.2mm | DRWG NO.: XJ-DR-PB11B01-00 | | | |
| 5 | SPRING | PBS WIRE | 1 | Ag PLATED | | | | | |
| 4 | TERMINAL | BRASS STRIP | 1 | Ag PLATED OVER Ni PLATED | | DWN. ZHOUYU 2002-1-28 | | | |
| 3 | CASE | POM | 1 | BLACK | | | | | |
| 2 | FRAME | STEEL STRIP | 1 | Ni PLATED | | APPD. KANGXINAN 2002-1-28 | | | |
| 1 | KNOB | POM | 1 | BLACK | | | | | |
| | | | | | | | | | |